

# PlateRite 4300/4100

Thermal Plate Recorders



# High-quality thermal CTP for 4-page presses



Dainippon Screen's thermal CTP solutions are unbeatable for their quality, accuracy, and reliability. They consistently output plates with a dot sharpness and registration accuracy that are known for enabling better process control and fast press makereadies. And on top of this, they also offer the benefits of easy daylight handling and efficiency for both short and long runs.

Screen's PlateRite 4300 and PlateRite 4100 are specially designed to provide optimal versatility in plate production for 4-page and 2-page presses. The PlateRite 4300 is a high-speed model that can comfortably and consistently

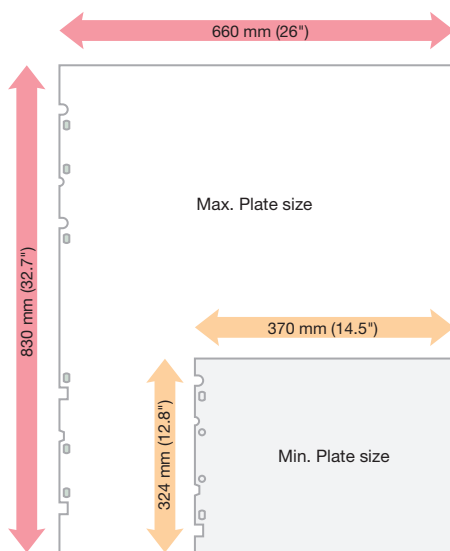
output up to 20 plates per hour when working with 724 x 615 mm (28.5" x 24.2") plates at 2,400 dpi. The PlateRite 4100 is an affordable entry-level solution, which keeps the same high-quality features of the PlateRite 4300, while offering output at up to 10 plates per hour.

Both models are built with a proven external-drum design and come with the option of inline punching blocks that help to ensure perfect on-press register and faster makereadies.

The choice has never been easier for making the move to high-quality thermal CTP.

## Supports wide range of plate sizes

The PlateRite 4300/4100 series can handle the plate requirements of new larger-format 4-page presses. Both support a maximum plate size of 830 x 660 mm (32.7" x 26"), and are also capable of supporting some of the smaller 2-page presses with a minimum plate size of 324 x 370 mm (12.8" x 14.5"). The PlateRite 4300/4100 offers an unbeatably flexible and reliable solution for fast output of a wide variety of plate sizes.



## Auto-balance for different plate sizes

Auto-balance lets you use different sized plates without requiring any manual adjustments for correct drum balance. All you do is select the type of plate you want to use and the PlateRite 4300/4100 automatically makes the necessary adjustments to create perfect drum balance for each plate size you use. The PlateRite 4300/4100 also features separate loading and unloading bays, so that one plate can be readied for loading while another is being exposed.

## Automatic inline punch

Screen's automatic inline punching system is the industry leader for enabling perfect register on press. It does this by performing the two types of punching (for press and platesetter registrations) at the same time, immediately before mounting the plate on the drum. This method gives much greater registration accuracy compared with either manual or off-line punching, eliminates human error and achieves faster press makeready. Punch blocks from Heidelberg, Komori, Bacher, Protocol, Stoesser, Grapho Metronic, and Screen are available, covering the full range of sizes for all major press types. Up to four punch blocks can be mounted and selected according to plate size and press type.

## Autoloader options

The PlateRite 4300/4100 can be configured for long automatic operation with Screen's autoloader options, which are acclaimed in the market for their reliability and precision. For the PlateRite 4300 there is the SA-L4300 single-cassette autoloader. It can hold up to 100 plates and automatically removes interleaf paper before loading each plate. The MA-L4300 multi-cassette autoloader can be added to this. It comes standard with three cassettes and enables up to 300 plates of three different sizes to be loaded and imaged in the PlateRite 4300 without operator intervention.

For the PlateRite 4100 there is the SA-L4100 single-cassette autoloader\*, which can load up to 50 plates into this entry-level platesetter.

Both models are also supported by an automatic processor bridge, which can extend the automation process all the way through to the plate processor.

\* Due for release Q1 2003

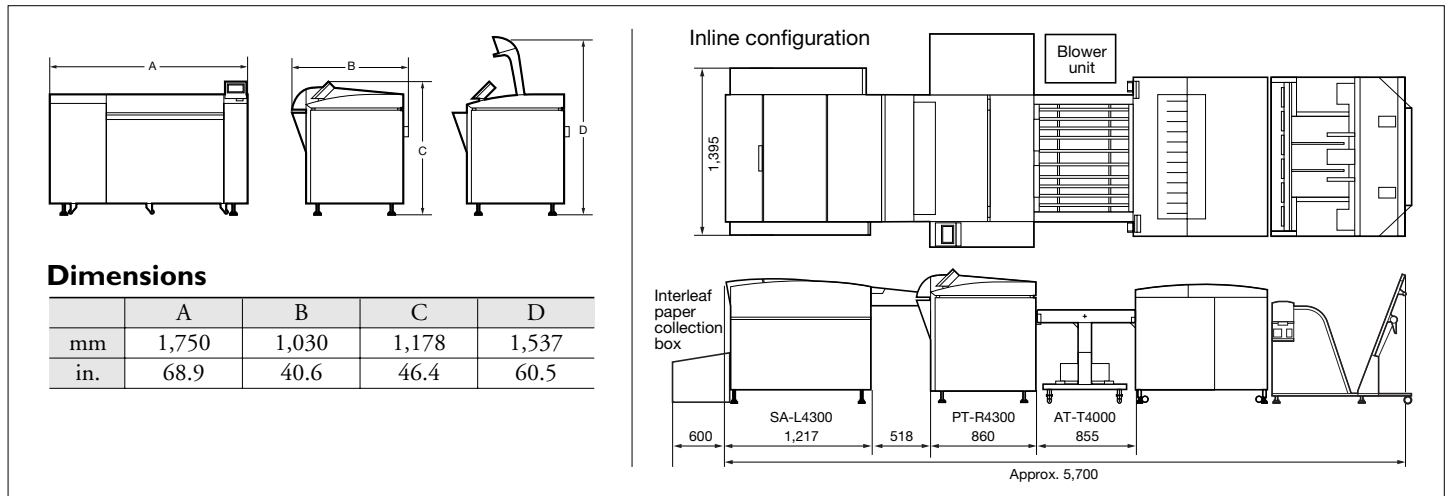


Single-cassette autoloader SA-L4300



Multi-cassette autoloader MA-L4300

## Space requirements



### Dimensions

	A	B	C	D
mm	1,750	1,030	1,178	1,537
in.	68.9	40.6	46.4	60.5

## PlateRite 4300/4100 specifications

Model name	PT-R 4300	PT-R 4100
Recording system	External drum	
Light source	32-channel infrared laser diodes	16-channel infrared laser diodes
Plate sizes	Maximum 830 mm x 660 mm (32.7" x 26") Minimum 324 mm x 370 mm (12.8" x 14.5")	
Exposure size	Maximum 830 mm x 633 mm (32.7" x 24.9") (Front margin 15 mm, rear margin 12 mm)	
Media	Thermal (infrared sensitive) plates	
Media thickness	0.15 mm to 0.3 mm (5.9 mil to 11.8 mil)	
Resolutions	1,200/2,000/2,400/4,000 dpi	2,400 dpi
Repeatability	± 5 microns*	
Productivity	20 plates/hr at 2,400 dpi (724mm x 615 mm / 28.5" x 24.2")**	10 plates/hr at 2,400 dpi (724mm x 615 mm / 28.5" x 24.2")**
Interface	Fast PIF	
Plate transport	Semi-automatic loading (standard) Fully-automatic loading (optional)	Semi-automatic loading (standard) Fully-automatic loading (optional)
Punch systems (optional)	SCREEN, Heidelberg, Protocol, Komori, and others	
Dimensions (W x D x H)	1,750 mm x 1,030 mm x 1,178 mm (68.9" x 40.6" x 46.4")	
Weight	645 kg (1,422 lb.)	645 kg (1,422 lb.)
Environment	23°C ± 2°C (73.4°F ± 3.6°F), 40 to 70% relative humidity (non-condensing)	
Power requirements	Single phase 200V to 240V +6%/-10%, 20A, 4.0kW	
Standard accessories	Blower unit	
Options	Single-cassette autoloader SA-L4300 Multi-cassette autoloader MA-L4300 Processor bridge AT-T4000	Single-cassette autoloader SA-L4100*** Processor bridge AT-T4000

\* Over four consecutive exposures on one plate at 23°C and 60% relative humidity.

\*\* Output speed may vary depending on the sensitivity of the media.

\*\*\* Due for release Q1 2003

Note: The SA-L4300 and MA-L4300 autoloaders cannot be used with the PlateRite 4100.

## DAINIPPON SCREEN MFG. CO., LTD.

### HEAD OFFICE

\* Teranouchi-agaru 4-chome, Horikawa-dori, Kamigyo-ku, Kyoto, 602-8585 Japan/Phone +81-75-414-7610/Fax +81-75-414-7608

SCREEN (USA) • 5110 Tollview Dr., Rolling Meadows, IL 60008, USA/Phone 847-870-7400/Fax 847-870-0149 <http://www.screenusa.com/>

DAINIPPON SCREEN (DEUTSCHLAND) GmbH • Mündelheimer Weg 39, 40472 Düsseldorf, Germany/Phone 0211-472701/Fax 0211-4727199/Telex 858-4438 DSD D

DAINIPPON SCREEN (U.K.) LTD. • Michigan Drive, Tongwell, Milton Keynes, Buckinghamshire MK15 8HT, UK/Phone 01908-848500/Fax 01908-848501 <http://www.screen.co.uk/>

DAINIPPON SCREEN (NEDERLAND) BV • Bouwerij 46, 1185XX Amstelveen, Holland/Phone 020-4567800/Fax 020-4567805 <http://www.screen-europe.com/>

DAINIPPON SCREEN (BELGIUM) • Büro & Design Center, Heyzel Esplanade Heysel Bus Nr. 54, 1020 Brussels, Belgium/Phone 02-476-1414/Fax 02-476-1313

SCREEN FRANCE • Z.I. Paris Nord II, 12 Rue des Chardonnerets, B.P. 50315, F-95940 ROISSY C.D.G. Cedex, France/Phone 1-48-17-86-00/Fax 1-48-17-86-01

DAINIPPON SCREEN SINGAPORE PTE. LTD. • 29, Kaki Bukit View, Kaki Bukit Techpark II, Singapore 415963/Phone 67493833/Fax 67499010 <http://www.screensp.com.sg/>

DAINIPPON SCREEN (CHINA) LTD. • 5th Floor, 414 Kwun Tong Road, Kwun Tong, Kowloon, Hong Kong/Phone 2953-0038/Fax 2755-8683

Beijing office /Phone 010-6505-4974, 4976, 0405/Fax 010-6505-4975 (China)

Shanghai office /Phone 021-6466-4501/Fax 021-6466-4503 (China)

Guangzhou office/Phone 020-3891-1112/Fax 020-3891-1036 (China)

DAINIPPON SCREEN (TAIWAN) CO., LTD. • 4F No. 126-1, Ming Tsu West Rd., Taipei, Taiwan/Phone 02-25862711/Fax 02-25914367

DAINIPPON SCREEN (KOREA) CO., LTD. • 5th Yonsae Bongeom B/D 48-3, 1Ga, Bongeae-Dong, Joong-Gu, Seoul 100-161, Korea/Phone 02-7766-7866/Fax 02-7766-787

DAINIPPON SCREEN (AUSTRALIA) PTY. LTD. • Unit 2, 207-209 Young Street, Waterloo, NSW 2017, Australia/Phone 02-9310-1314/Fax 02-9310-3566

Internet web site <http://www.screen.co.jp/>

## SA-L4300 single-cassette autoloader specifications

Plate transport	Fully automatic loading & automatic interleaf removal
Cassette capacity	100 plates
Cleaning function	Cleaning roller (cleans both surfaces of plates)
Dimensions (W x D x H)	1,395mm x 1,775 mm x 1,060 mm (55.0" x 69.9" x 41.7")
Installation dimensions (W x H)	1,240 mm x 1,100 mm (48.8" x 43.3")
Weight	Approx. 340 kg (748 lb.)
Power	Single phase 200V to 240V +6%/-10%, 5A, 1.0kW
Grounding	(to comply with local regulations)
Environment	Same as main unit
Standard accessories	Plate cassette and carrier, interleaf paper collection box
Options	Additional plate cassettes and carriers with cassette covers (for protection against dust)

## MA-L4300 Multi-cassette autoloader specifications

Plate transport	Fully automatic loading & automatic interleaf removal
Cassette capacity	100 plates per cassette
No. of cassettes	3 cassettes
Cassette transport	Fully-automatic (horizontal/vertical)
Cleaning function	Cleaning roller (cleans both surfaces of plates)
Cassette changeover	Maximum 60 seconds
Dimensions (W x D x H)	2,590 mm x 1,775 mm x 1,060 mm (10.2" x 69.9" x 41.7")
Installation dimensions (W x H)	1,240 mm x 1,100 mm (48.8" x 43.3")
Weight	Approx. 765 kg (1,683 lb.)
Power	Single phase 200V to 240V +6%/-10%, 5A, 1.0kW
Environment	Same as main unit
Standard accessories	3 cassettes, interleaf paper collection box

- Printed on recycled paper.
- This brochure was printed using Spekta AM/FM hybrid screening.



We reserve the right to alter product design and specifications without prior notice.